

## Features

- Replace the halogen GU10 downlight and fitting directly.
- 6W, equal to 50W halogen fitting(Follow new ErP)
- Driver inside, no need extra driver
- Cutting size 68mm same as halogen downlight
- HALED optical design with patent, comfortable light like halogen
- Same lighting effect as halogen fitting's ,
- Dim to warm by Traic Dimmer like Halogen, Dimming smoothly
- Ultra-thin design, Used for all kinds of Ceiling
- High PF, Flicker free, Low UGR, CRI90
- Directional lighting source
- Metal materials, Perfect Heat-sinking
- Lifespan 25000 hrs, 3 years warranty



CE RoHS ErP

Surface ring: White/ Nickle

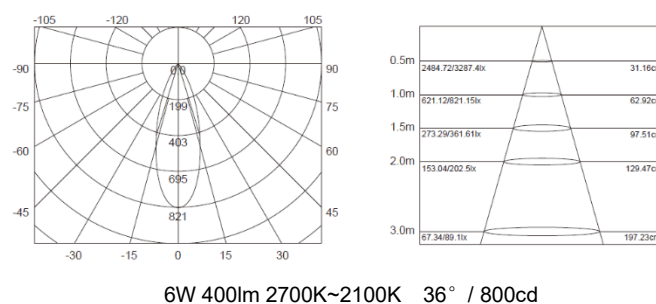
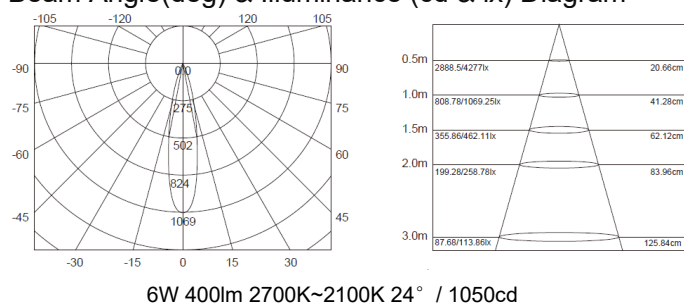
## Applications:

- Commercial Lighting: Hotels, Restaurants, Museum, Theater, Bars, Cafes, Shop etc.
- Home Lighting: Villa, Residential buildings, Indoor Lighting etc.

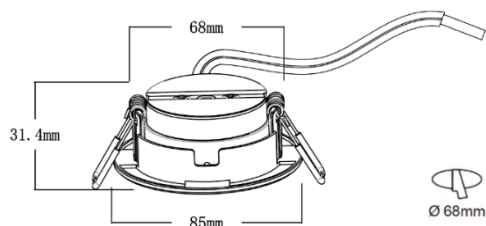
### Technical data

Part No.	DCVC002W06 48001(W)/ 48002(W)/ 48133(N)/ 48134(N)
Wattage (W)	6W
Voltage (V)	AC200V-240V
Frequency (Hz)	50/60Hz
Power factor	>0.8
Dimmable	Dim to Warm
Color temperature (CCT)	2700K~2100K
Lumens(lm)	400
CRI	90
Beam angle ( ° )	24°/ 36°
Luminous intensity(cd)	1050cd/ 800cd
Life Span(hrs)	25000hrs
Working temperatuer range	-20~+50℃
Storage temperature range	-20~+70℃
Gift Box Dimensions (LxWxH)	100*90*45mm
Inner Carton Dimensions (LxWxH)	465*110*110mm ( 10PCS )
Shipping Carton Dimensions(LxWxH)	575*480*245mm ( 100PCS )

## Beam Angle(deg) & Illuminance (cd & lx) Diagram



## Technical Drawings (mm)



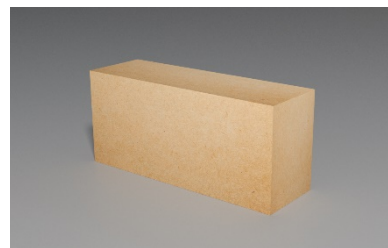
## Package



Gift Box 100\*90\*45mm



Inner Carton 465\*110\*110mm(10PCS)

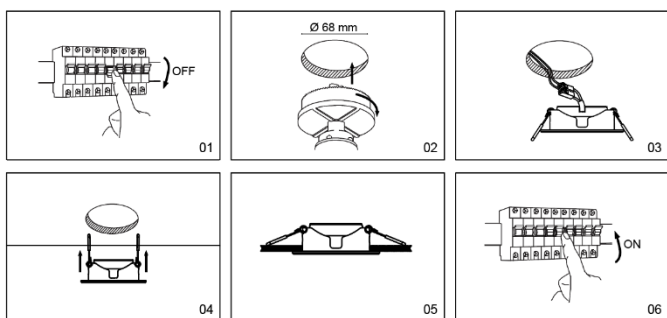


Shipping Carton 575\*480\*245mm(100PCS)

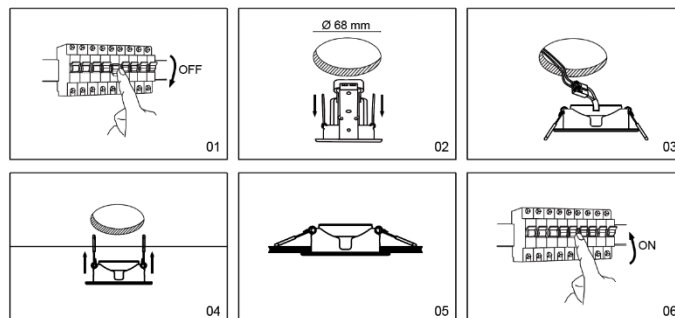
## Installation /Mounting:

Please read the entire instruction manual before using the product and reserve it for future reference. We reserve the right for any error in text or image and any necessary change made to technical data. If you have any question regarding technical problems, please contact our Customer Services.

### New installation



### Replacement



## Cautions:

- Don't touch the lamp when it is lighted
- Power off before replacement
- Do not in violation of any fire regulations when using
- Consult professional electricians for technical support
- If the cable is damaged, it must be replaced by the manufacturer and its service agent, or qualified person in order to avoid hazards.